



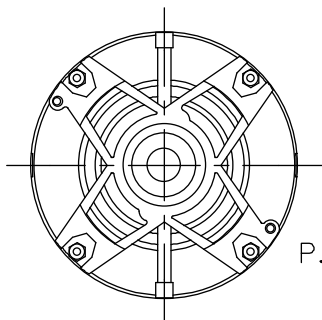
### Nameplate Specifications

Output HP	0.25 Hp	Output KW	0.19 kW
Frequency	50 Hz	Voltage	110/220 V
Current	5.2,2.6 A	Speed	1425 rpm
Service Factor	1	Phase	1
Efficiency	62 %	Power Factor	0
Duty	Continuous	Insulation Class	B
KVA Code	M	Frame	48
Enclosure	Drip Proof	Thermal Protection	AUTO
Ambient Temperature	40 °C	Drive End Bearing Size	6203
Opp Drive End Bearing Size	6203	UL	Recognized
CSA	Yes	CE	N

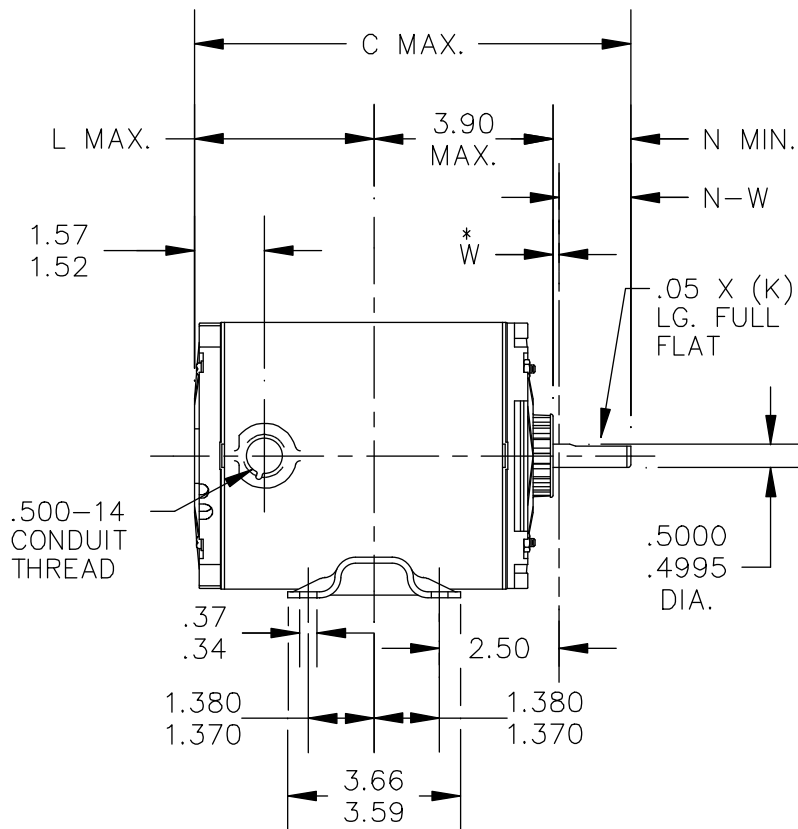
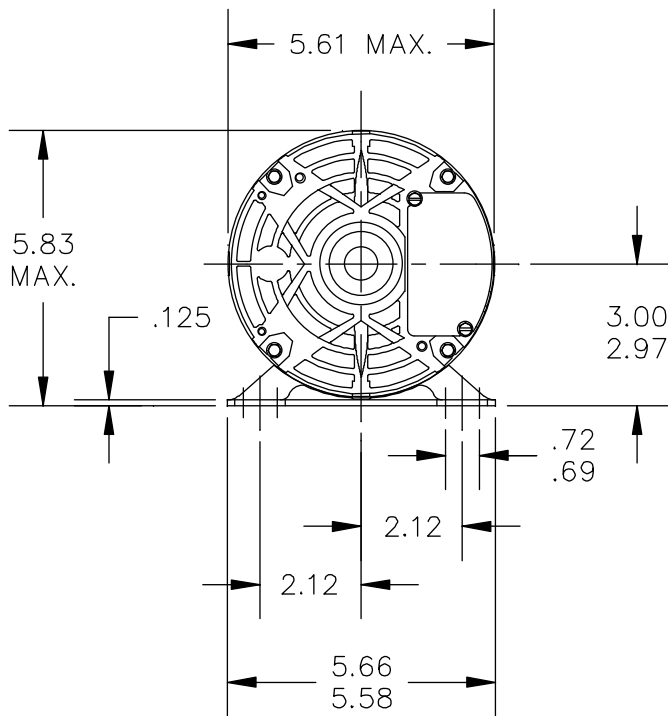
### Technical Specifications

Electrical Type	Split Phase	Starting Method	SM
Poles	4	Rotation	Counterclockwise/Clockwise
Mounting	Rigid Base	Motor Orientation	ANY
Drive End Bearing	BALL	Opp Drive End Bearing	Ball
Frame Material	Rolled Steel	Overall Length	9.23 in
Frame Length	5.79 in	Shaft Diameter	0.500 in
Shaft Extension	1.5 in		
Connection Drawing	52A105383AA	Outline Drawing	52A109504P1

This is an uncontrolled document once printed or downloaded and is subject to change without notice. Date Created:03/11/2020



VIEW SHOWING  
P.E. VENTILATION  
OPENINGS



W\* IS A CLEARANCE DUE  
TO VARIATION IN  
PARTS AND ASSEMBLY.

3	K	33	48	9.19	1.54	3.41	1.50	1.63/1.41
2	KH	36	48	9.66	1.16	4.65	1.50	1.63/1.41
1	KH	35	48	9.23	1.16	4.25	1.50	1.63/1.41
P	TYPE	RBC SIZE	NEMA FR	C	K	L	N	N-W

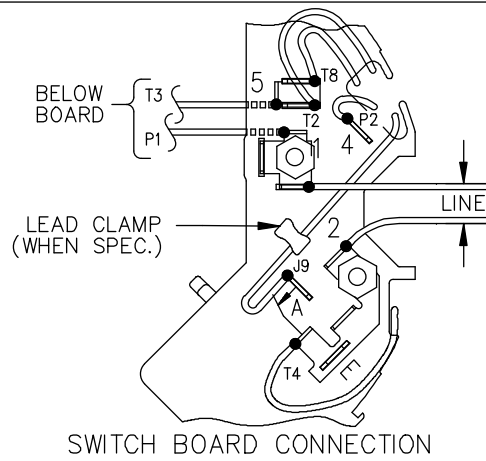
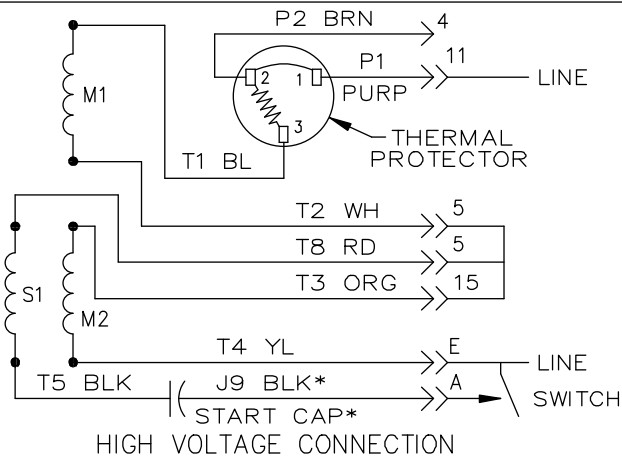
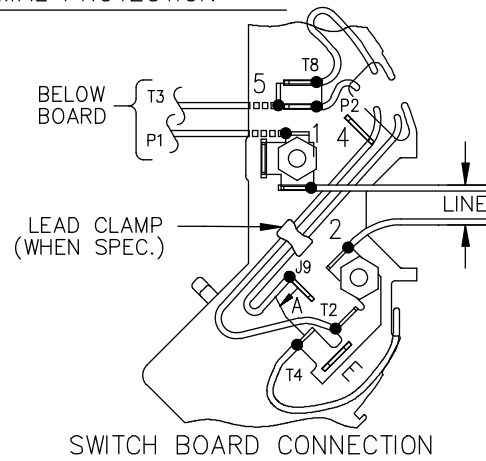
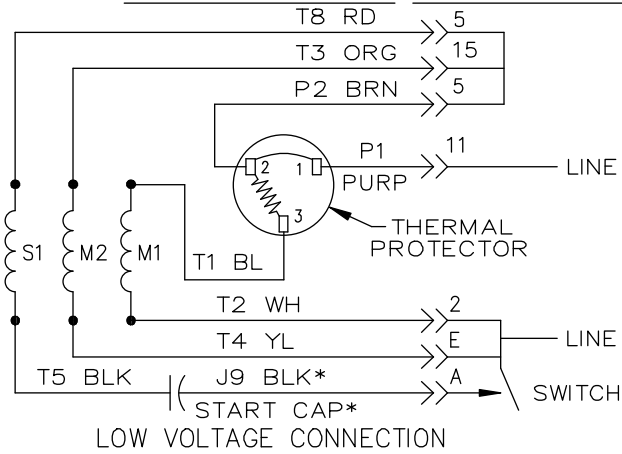
NO.	REVISION	BY & DATE	CHK	ANG	TOLERANCES UNLESS SPECIFIED	
					DEC.	INCHES
5	REDRAWN IN DRAFT SIGHT NO CHANGES	UD 10/18/12	PKG			
4	MOD. "K" DIM. IN P#3 FROM 1.16 TO 1.54	MD 09/19/08		.X	±0.1	
3	CHG PT# 3 "C" DIM PER IS06-0429	PKG 05/08/06		.XX	±0.02	
2	UPDATED AS PER ISAAC 05-3081	PKG 12/02/05		.XXX	±0.005	
1	ADDED P # 3	M.A.M07/08/94		.XXXX	±0.0005	

<p><b>REGAL-BELOIT CORPORATION</b></p> <p>TITLE: OUTLINE DRIP PROOF WELDED BASE</p> <p>MAT'L.</p> <p>FINISH</p>	DRAWN M.D.P 03/14/94
	CHK
	APPD M.D.P 03/14/94
	SCALE 1=1
	REF
	FMF
	PREV

THIS DRAWING IN DESIGN AND DETAIL IS OUR PROPERTY AND MUST NOT BE USED EXCEPT  
IN CONNECTION WITH OUR WORK ALL RIGHTS OF DESIGN AND INVENTION ARE RESERVED  
THIS IS AN ELECTRONICALLY GENERATED DOCUMENT - DO NOT SCALE THIS PRINT

RFP	CAD FILE	52A109504	SIZE	DRAWING NO.	REV.
DIST			A	52A109504	5

EITHER ROTATION, DUAL VOLTAGE, TYPE KC OR KH, WITH THERMAL PROTECTION



NOTE #1 - START CAP & J9 WHEN SPECIFIED (\*). IF NO CAPACITOR (KH), CONNECT T5 DIRECTLY TO SWITCH (A). WHEN MORE THAN ONE CAPACITOR IS USED, CONNECT IN PARALLEL.

NOTE #2 - TO REVERSE ROTATION, INTER CHANGE RD(T8) AND BLK(J9-KC OR T5-KH) LEADS.

SWITCH REF. - 115D958AB	CONNECTION LABEL	CCW ROTATION: NP52X332051AA
		CW ROTATION: NP52X332051AC

NO.	REVISION	BY & DATE	CHK	TOLERANCES UNLESS SPECIFIED		FINISH	DRAWN	M.D.P	DATE			
				DEC.	INCHES							
				.X	±0.1				06/29/87			
				.XX	±0.02							
5	ADDED CONNECTION LABEL PER ECO-0030779	UD 02/06/13	PKG	.XXX	±0.005							
4	UPDATED PER ISO7-0150	MD 01/23/07		.XXXX	±0.0005	MAT'L.						
					±1.0							
THIS DRAWING IN DESIGN AND DETAIL IS OUR PROPERTY AND MUST NOT BE USED EXCEPT IN CONNECTION WITH OUR WORK. ALL RIGHTS OF DESIGN AND INVENTION ARE RESERVED. THIS IS AN ELECTRONICALLY GENERATED DOCUMENT - DO NOT SCALE THIS PRINT							RFP	CAD FILE	52A105383AA	SIZE	DRAWING NO.	REV.
							DIST			A	52A105383AA	5



TITLE CONNECTION DIAGRAM  
30 FRAME SWITCH REDESIGN